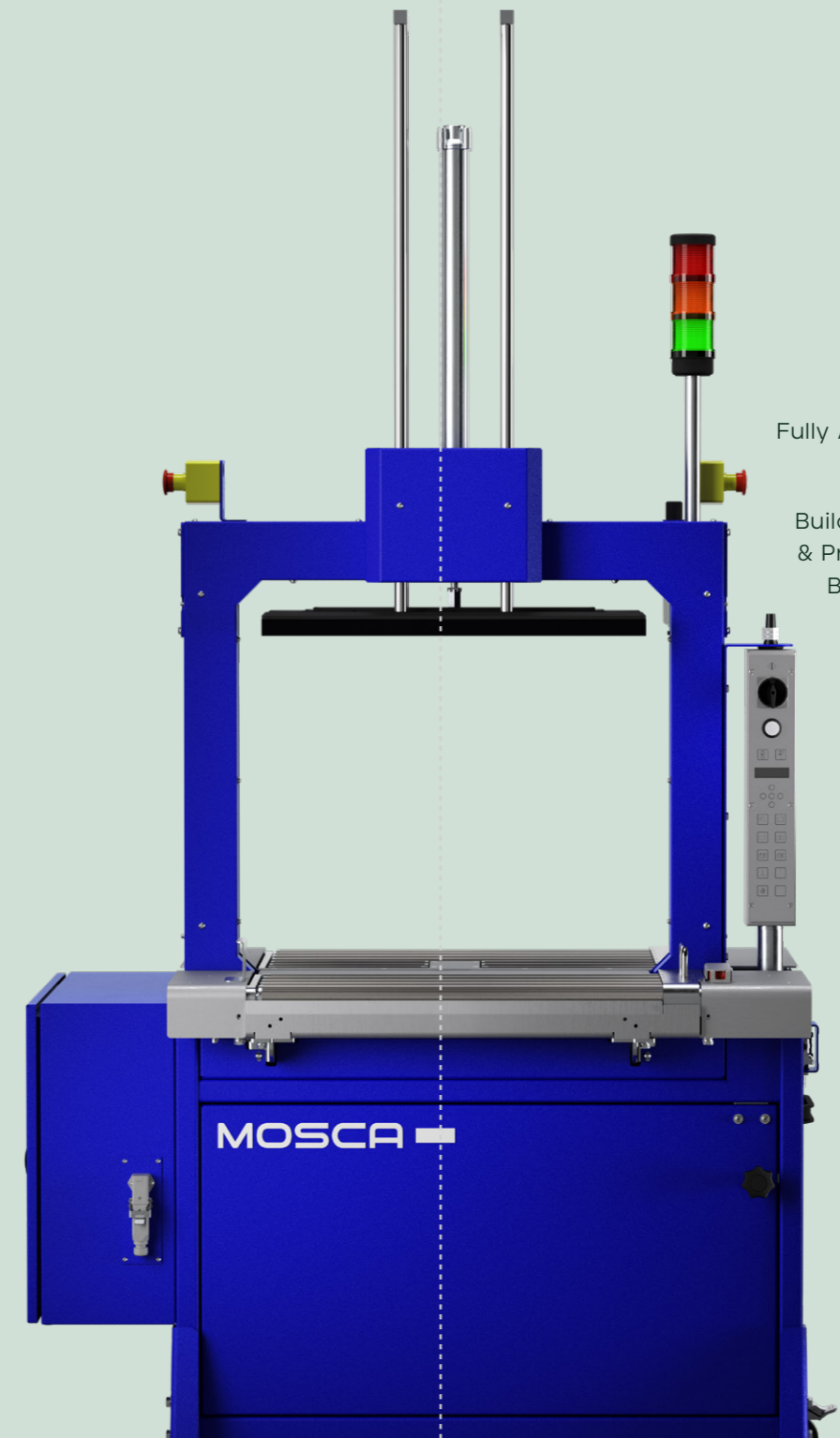
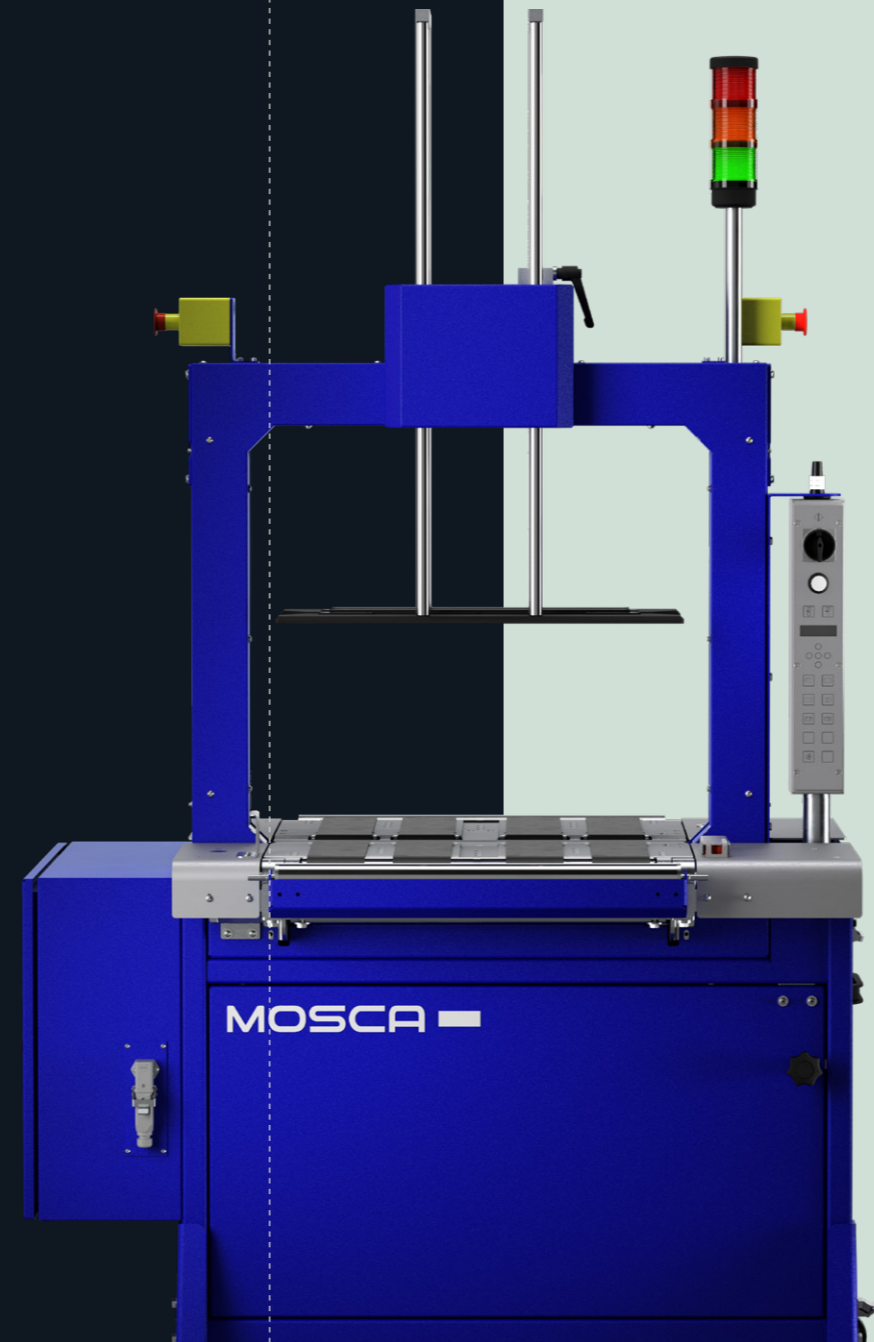


SoniXs MP-6

REVOLUTIONIZE YOUR
END-OF-LINE [PACKAGING]
PERFORMANCE



NONSTOP RESPONSIBLE
NONSTOP RELIABLE
NONSTOP INTELLIGENT
NONSTOP PROGRESSIVE

Automatic Strapping Machine (MP-6 T)
Fully Automatic Strapping Machine (MP-6 B/R)



Building Materials & Containers, Newspapers
& Print Media, Mail Order & Logistics, Food &
Beverage, Corrugated Cardboard & Paper



SoniXs Sealing Unit | Standard-6



For PP straps



Space-saving design



NONSTOP PERFORMANCE

SoniXs MP-6

CROSS-INDUSTRY STRAPPING MACHINE

The SoniXs MP-6 automatic strapping machine features a space-saving, easy-access design. Strap coils can be inserted from the front or side, allowing the machine to be used even in confined spaces.

Meeting a variety of industry needs, the SoniXs MP-6 is available in different versions: as a table model for manual package placement, with rollers for fully automatic transport of heavy loads, or with driven conveyor belts for fully automated operation. The table model can also be equipped with an optional narrow sealing unit for thin products.

Table version [T]
Belts Version [B]
Rollers version [R]

mosca.com

TECHNICAL DATA

Performance: (using 5 mm strap)
[T] up to 58 cycles/minute
[B] up to 35 cycles/minute
[R] up to 35 cycles/minute

Frame Size: (WxH)

[T] 500 x 400 mm
600 x 600 mm
800 x 400 mm
800 x 600 mm
800 x 800 mm
1,000 x 800 mm
1,250 x 600 mm
1,250 x 1,000 mm
1,650 x 600 mm

[B] & [R] 600 x 600 mm
800 x 600 mm
1,000 x 800 mm

Straps:

PP straps: Width: 5 - 12 mm
Thickness: 0.4 - 0.63 mm

Strap Coil Dispenser:

Core diameter: 200 mm
Core width: 190 mm

Electricity:

Voltage: 110 - 240 V, 50 / 60 Hz, 1L+N+PE
(others on request)
Power consumption: approx. 0,2 kW

Weight: (without options | at frame size 600x600mm)

[T] 190 kg
[B] 260 kg
[R] 260 kg

STANDARD FEATURES

SoniXs Ultrasonic sealing unit in standard-6 version

Easy accessibility and tool-free dismantling of strap path components

Stepless turnable operation panel (0° - 180°) for many-sided operation

Adjustable strap tension via potentiometer

Programmable strap tension value

Strap coil changeable from the front and the side

Automatic strap coil change and threading system

Strap end detection with ejection of remaining strap

Automatic strap loop ejection

Extremely low energy consumption

Stand-by mode

4 castors, 2 of them lockable

CE marking inclusive conformity declaration

[T]

Soft strapping selectable for sensitive packages

[B] & [R]

- Easy operation over digital display in the control panel
- Hinged transporting systems for easy accessibility
- Potential-free contacts to upstream and downstream machines
- Continuously adjustable conveyor speed from 0.1 to 1.0 m/s
- Parameter control panel for setting strapping parameters
- Selector switch for single, double or multiple strapping

OPTIONS

Pneumatical hold-down device

Automatic adjustment of the strap tension by package height detection

Signal light (LED)

4 swivel castors, 2 with brakes

Signal exchange via 16-pin plug

Table extension (only for T- and B-Version)

Low strap detection with signal in the control panel

Lowering chassis H = 730 - 835 mm to the front and rear, or outwards

Increased working height 920 - 1,025 mm

- [T]
- Balls or rollers in the table plate
 - Manual strapping release via additional fixed or flexible foot pedal
 - Automatic strapping release via ball switch or light sensor
 - Sealing unit for narrow products

- [B] & [R]
- Safety pop-up rollers in the infeed and outlet
 - Product cover identification device
 - Brush guide for proper strap positioning
 - Lateral product guiding
 - Emergency-Stop Interface
 - Light barrier for pile-up monitoring
 - Light barrier for start/stop

CONTACT US FOR A PERFORMANCE CONSULTATION!

mosca.com

Mosca GmbH
Gerd-Mosca-Straße 1 · 69429 Waldbrunn

info@mosca.com · +49 6274 / 932-0

DIMENSIONS / WORKING WIDTH MACHINE (in mm)

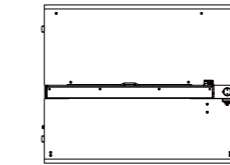
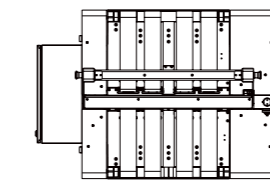
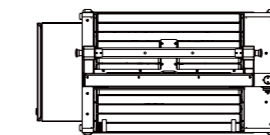


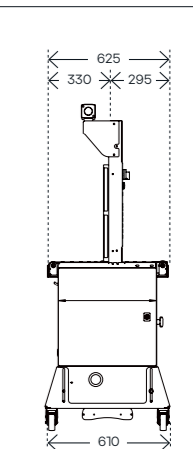
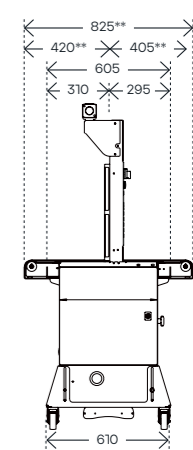
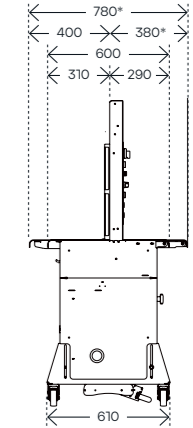
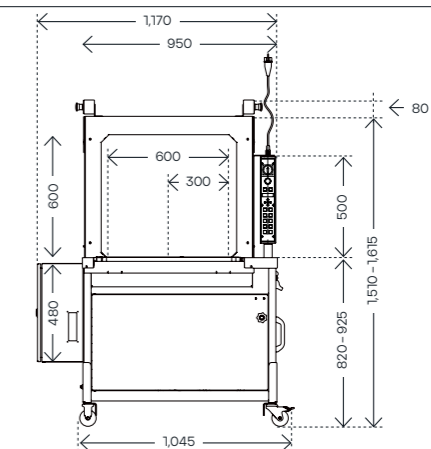
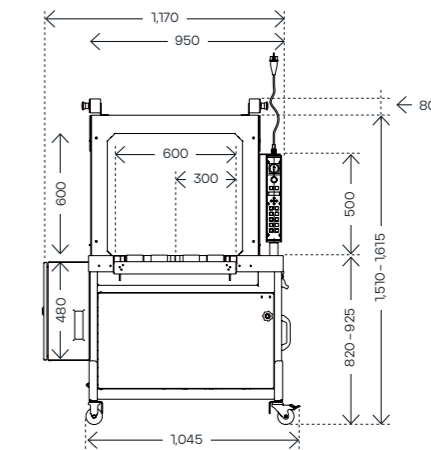
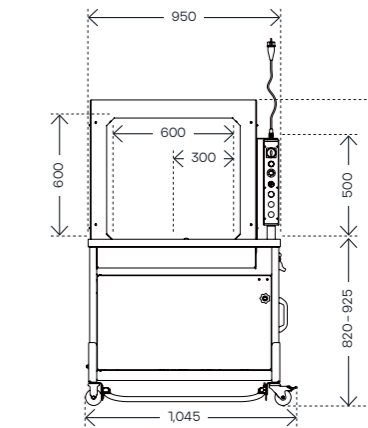
Table version [T]



Belts Version [B]



Rollers version [R]



* Dimensions with table extension SoniXs MP-6 T (600x600mm) | ** Dimensions with table extension SoniXs MP-6 B (600x600mm) | SoniXs MP-6 R (600x600mm)

04 / 23 Subject to alterations